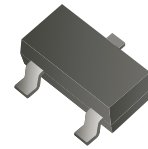


BAT54-HF Series

RoHS Device
Halogen Free



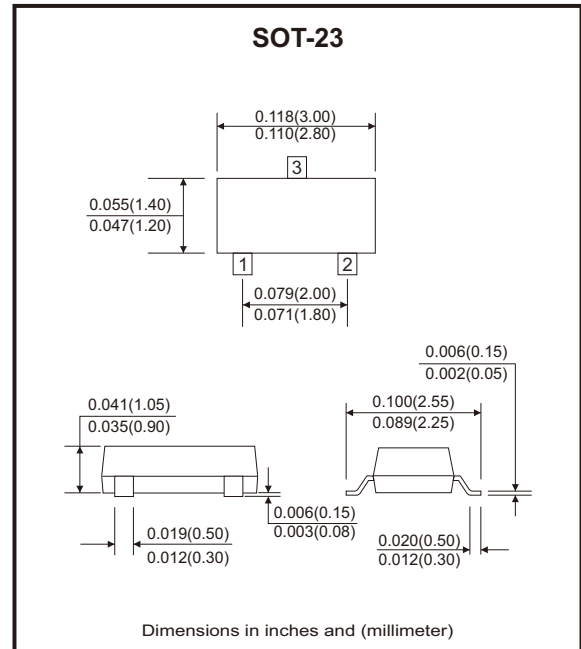
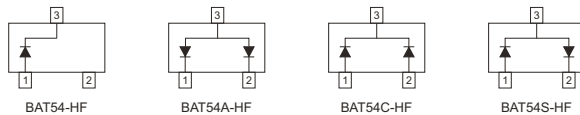
Features

- High current capability.
- Low forward voltage drop.
- Extremely fast switching speed.

Mechanical data

- Case: SOT-23, molded plastic.
- Epoxy : UL 94V-0.

Circuit Diagram



Maximum Rating (at Ta=25°C unless otherwise noted)

Parameter	Symbol	Value	Unit
Max. repetitive peak reverse voltage	VRRM	30	V
Max. RMS voltage	VRMS	21	V
Max. DC blocking voltage	VDC	30	V
Max. average forward rectified current	IFM	200	mA
Peak forward surge current 8.3 ms single half sine-wave	IFSM	600	mA
Typical thermal resistance	RθJA	500	°C/W
Power dissipation	PD	200	mW
junction temperature	TJ	125	°C
Storage temperature range	TSTG	-50 to +150	°C

Electrical Characteristics (at Ta=25°C unless otherwise noted)

Parameter	Symbol	Conditions	Min.	Typ.	Max.	Unit
Maximum Forward voltage	V _{F1}	I _F =0.1mA			240	mV
	V _{F2}	I _F =1mA			320	
	V _{F3}	I _F =10mA			400	
	V _{F4}	I _F =30mA			500	
	V _{F5}	I _F =100mA			1000	
Maximum reverse breakdown voltage	V _R	I _R =100μA	30			V
Maximum reverse current	I _R	V _R =25V			2.0	μA
Type junction capacitance	C _j	V _R =1V, f=1MHz			10	pF
Reverse recovery time	t _{rr}	I _F =I _R =10mA, I _{RR} =0.1xI _R , R _L =100Ω			5	ns

Rating and Characteristic Curves (BAT54-HF Series)

Fig.1 - Forward Characteristics

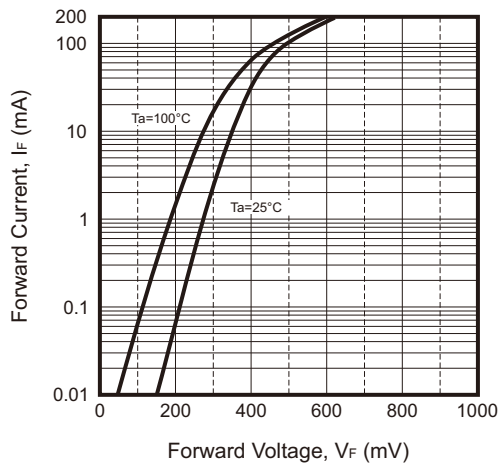


Fig.2 - Reverse Characteristics

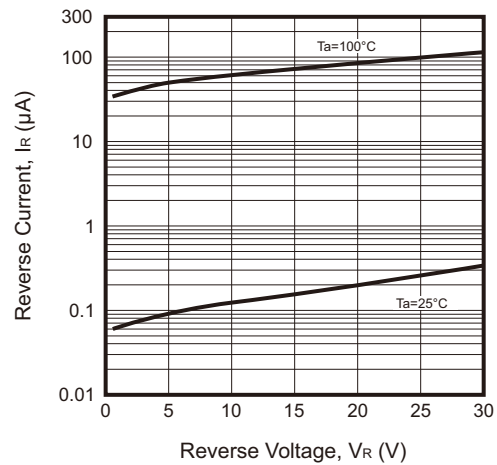


Fig.3 - Capacitance Characteristics

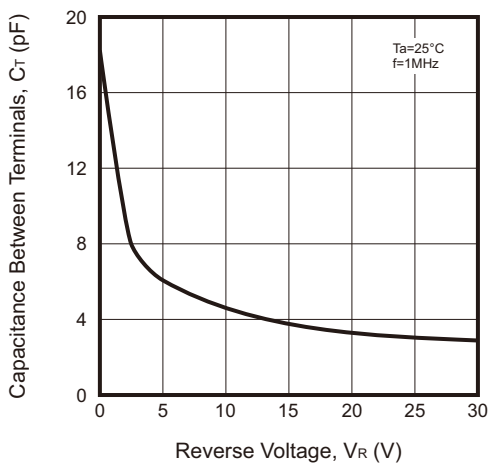
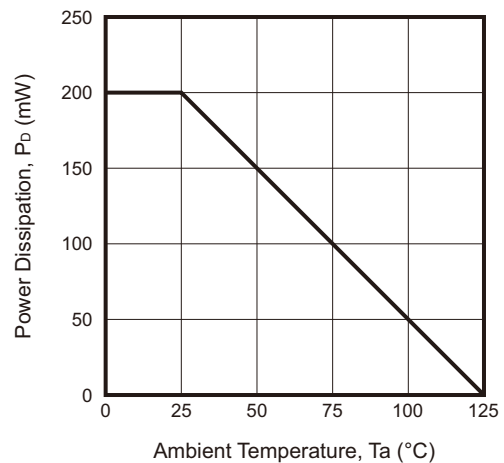


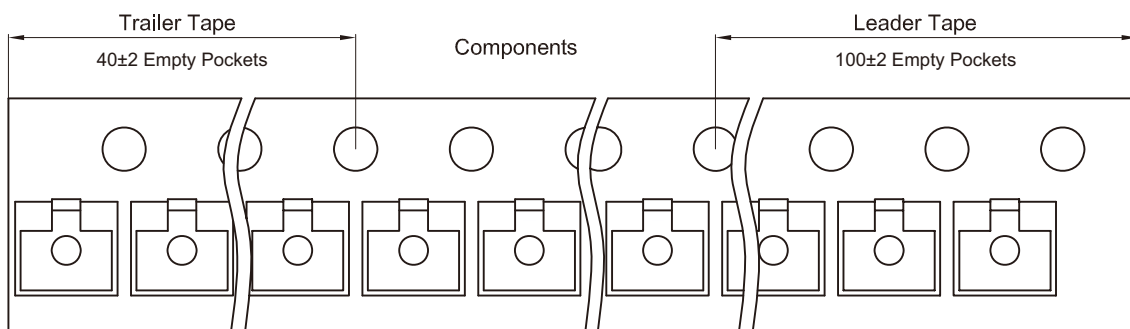
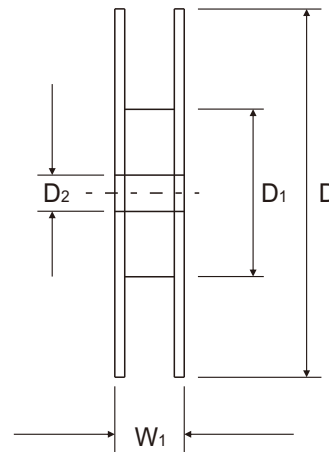
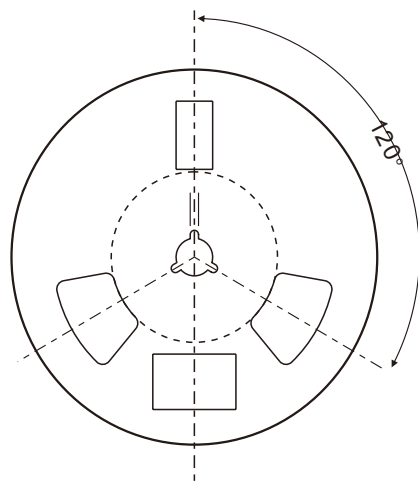
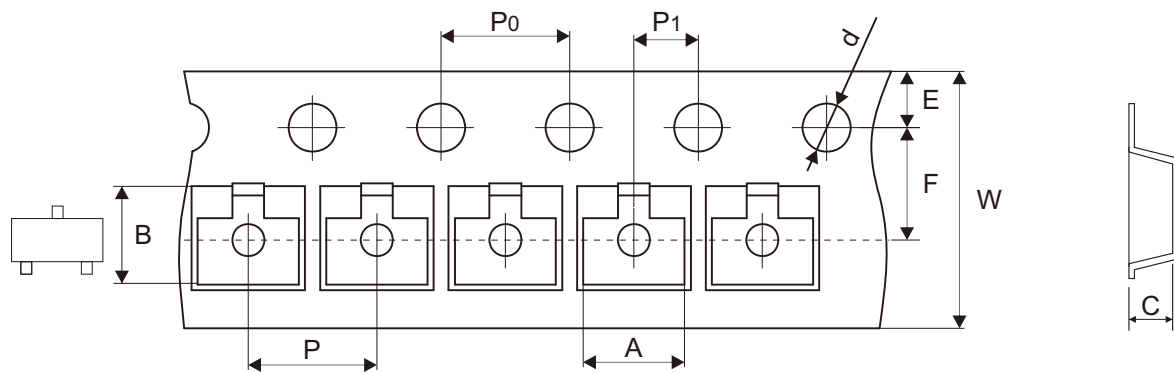
Fig.4 - Power Derating Curve



Company reserves the right to improve product design, functions and reliability without notice.

REV:A

Reel Taping Specification



SOT-23	SYMBOL	A	B	C	d	D	D1	D2
	(mm)	3.15 ± 0.10	2.77 ± 0.10	1.22 ± 0.10	1.50 ± 0.10	178.00 ± 2.00	54.40 ± 1.00	13.00 ± 1.00
	(inch)	0.124 ± 0.004	0.109 ± 0.004	0.048 ± 0.004	0.059 ± 0.004	7.008 ± 0.079	2.142 ± 0.039	0.512 ± 0.039

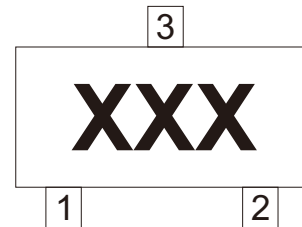
SOT-23	SYMBOL	E	F	P	P0	P1	W	W1
	(mm)	1.75 ± 0.10	3.50 ± 0.10	4.00 ± 0.10	4.00 ± 0.10	2.00 ± 0.10	8.00 ± 0.10	12.30 ± 1.00
	(inch)	0.069 ± 0.004	0.138 ± 0.004	0.157 ± 0.004	0.157 ± 0.004	0.079 ± 0.004	0.315 ± 0.004	0.472 ± 0.039

Company reserves the right to improve product design, functions and reliability without notice.

REV:A

Marking Code

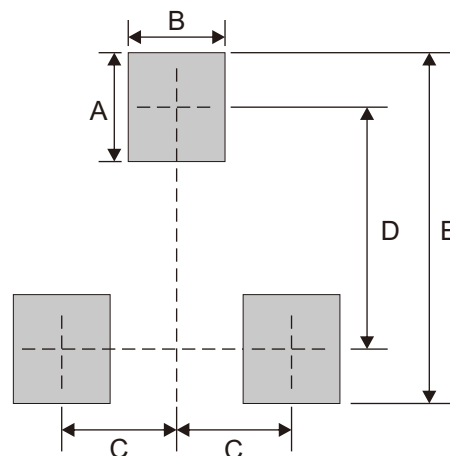
Part Number	Marking Code
BAT54-HF	KL1
BAT54A-HF	KL2
BAT54C-HF	KL3
BAT54S-HF	KL4



xxx = Product type marking code

Suggested PAD Layout

SIZE	SOT-23	
	(mm)	(inch)
A	0.90	0.035
B	0.80	0.031
C	0.95	0.037
D	2.00	0.079
E	2.90	0.114



Note: 1. The pad layout is for reference purposes only.

Standard Packaging

Case Type	REEL PACK	
	REEL (pcs)	Reel Size (inch)
SOT-23	3,000	7

Mouser Electronics

Authorized Distributor

Click to View Pricing, Inventory, Delivery & Lifecycle Information:

[Comchip Technology:](#)

[BAT54A-HF](#) [BAT54C-HF](#) [BAT54S-HF](#) [BAT54-HF](#)